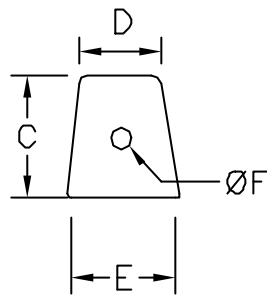


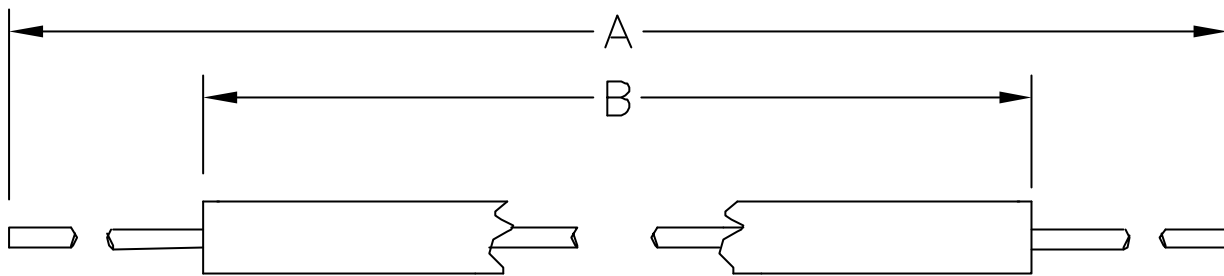
PLAN



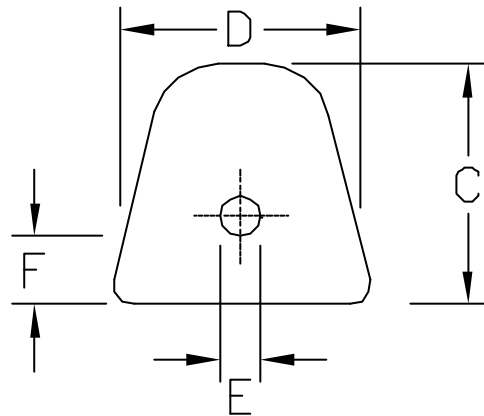
FRONT ELEVATION

CP Tech Aluminium Tank Anode								
TYPE	A	B	C	D	E	F	NETT WEIGHT(KG)	GROSS WEIGHT (KG)
W110	1225	765	50	40	50	$\varnothing 13$	4.1	5.4
W115	1985	1525	50	40	50	$\varnothing 13$	8.3	10.3
W156	765	305	75	50	65	$\varnothing 13$	3.3	3.8
W155	1070	610	75	50	65	$\varnothing 13$	7.1	8.1
W154	1225	765	75	50	65	$\varnothing 13$	8.7	10.0
W153	1475	1015	75	50	65	$\varnothing 13$	11.6	13.1
W152	1730	1270	75	50	65	$\varnothing 13$	14.5	16.3
W151	1985	1525	75	50	65	$\varnothing 13$	17.3	19.3
W196	765	305	95	75	85	$\varnothing 13$	5.8	6.3
W195	1060	600	95	75	85	$\varnothing 13$	12.2	13.2
W194	1210	750	95	75	85	$\varnothing 13$	15.0	16.3
W193	1465	1005	95	75	85	$\varnothing 13$	20.2	21.7
W192	1720	1260	95	75	85	$\varnothing 13$	25.4	27.2
W191	1985	1525	95	75	85	$\varnothing 13$	30.9	32.9

All weights in kilograms.  
 All dimensions in millimetre.  
 All weights and dimensions are nominal.



PLAN



FRONT ELEVATION

CP Tech High Purity Zinc Tank Anode

TYPE	A	B	C	D	E	F	NETT WEIGHT(KG)	GROSS WEIGHT(KG)
WT25Z	1066	610	57	64	∅13	19	10.6	11.3
WT35Z	1066	610	69	77	∅13	23	15.2	15.9
WT45Z	1066	610	79	83	∅13	25	20.4	21.1
WT50Z	1676	1220	57	64	∅13	19	21.3	22.6
WT70Z	1676	1220	69	77	∅13	23	30.4	31.8
WT90Z	1676	1220	79	83	∅13	25	40.8	42.2
WT110Z	1676	1220	91	94	∅13	32	50.0	53.8

All weights in kilograms.

All dimensions in millimetre.

All weights and dimensions are nominal.



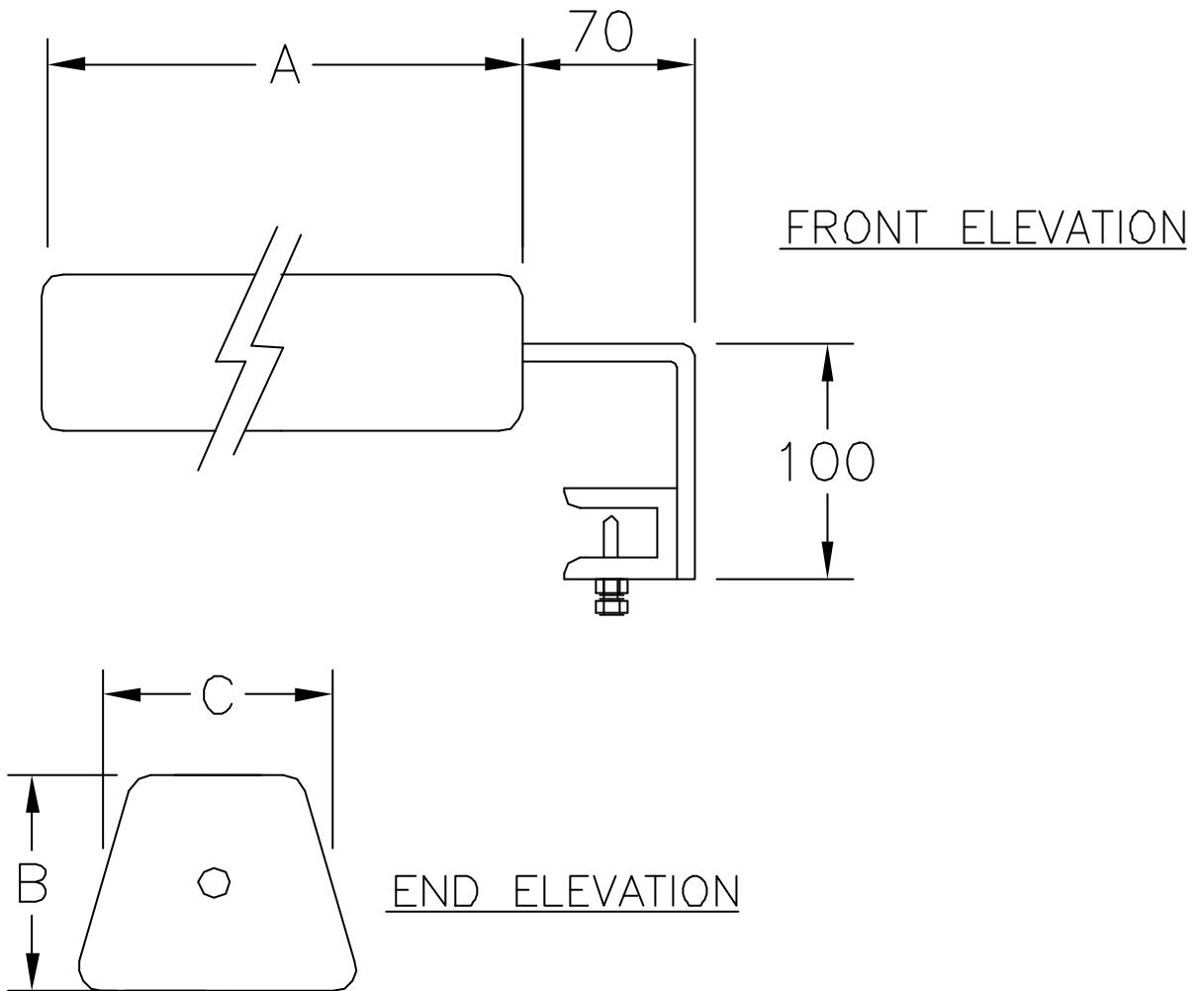
Cathodic Protection Technology Pte Ltd

4 Tuas Drive 1 Singapore 638671

Tel: 6862-3551

Fax: 6861-6436

Email : cptech@singnet.com.sg



CP Tech Aluminium Pit Guard Anodes					
TYPE	MATERIAL	A	B	C	NETT WEIGHT(KG)
AT2235	Aluminium	200	70	76	2.33
AT2235/1	Aluminium	400	70	76	4.7
AT2235/2	Aluminium	356	70	76	4.2
AT2237	Aluminium	395	76	63	4.5

All weights in kilograms.  
 All dimensions in millimetre.  
 All weights and dimensions are nominal.



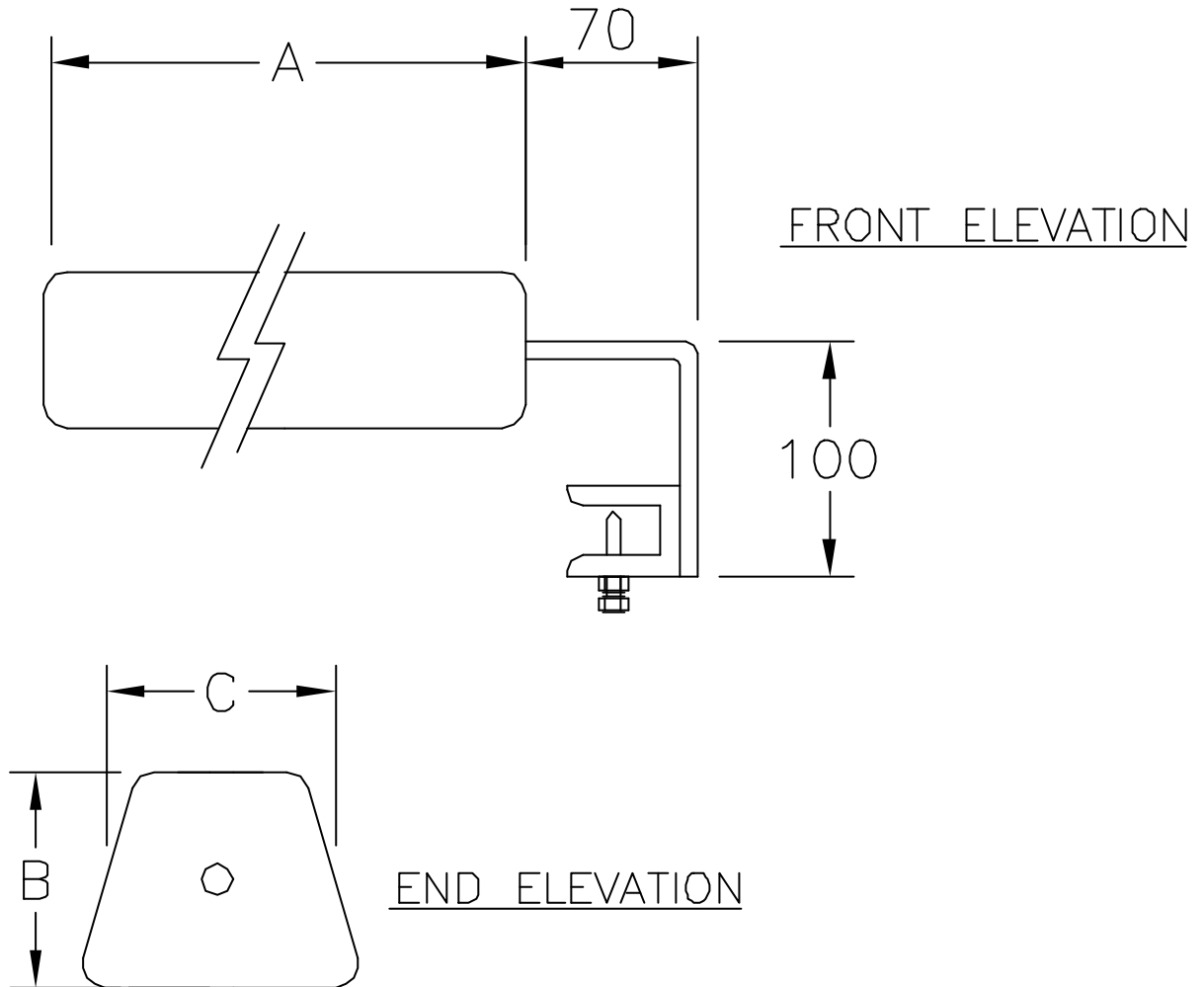
Cathodic Protection Technology Pte Ltd

4 Tuas Drive 1 Singapore 638671

Tel: 6862-3551

Fax: 6861-6436

Email : cptech@singnet.com.sg



CP Tech High Purity Zinc Pit Guard Anodes					
TYPE	MATERIAL	A	B	C	NETT WEIGHT(KG)
ZT2247	Zinc	332	70	76	10.0
ZT2252	Zinc	342	76	63	10.0

All weights in kilograms.  
 All dimensions in millimetre.  
 All weights and dimensions are nominal.